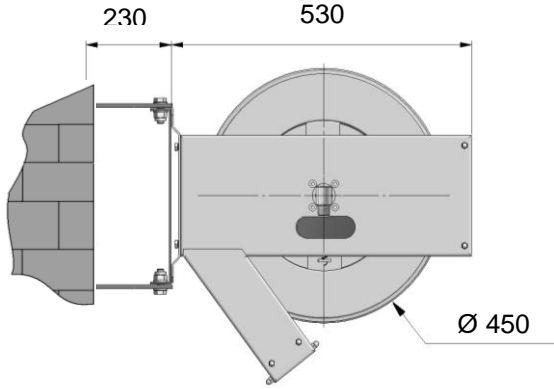
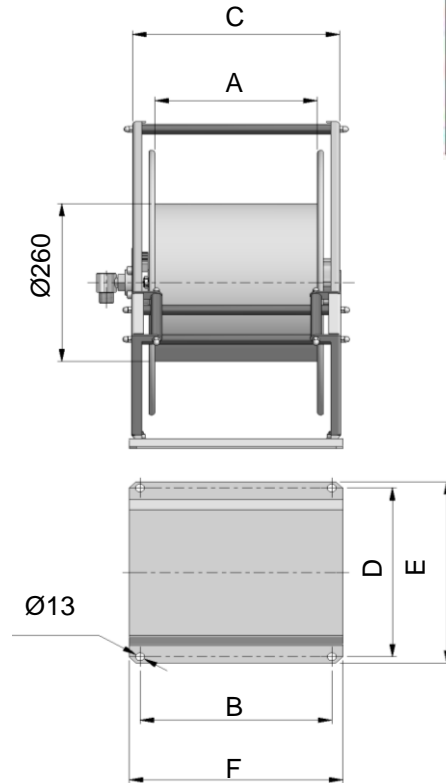
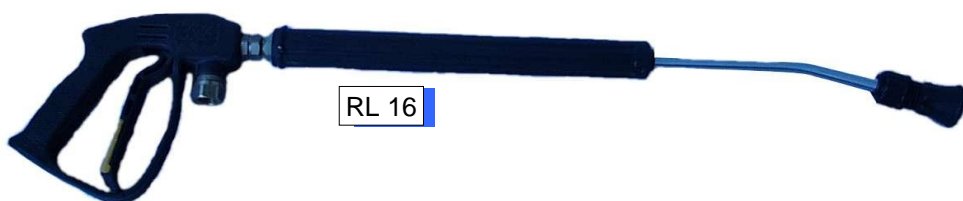


	MODELO	A	B	C	SIN TUBO without hose EURO	Tubo /Hose			Con tubo with hose EURO	Soporte giratorio Swivel bracket			
	MODEL	mm				tipo type	Ø	m		Tipo Type	EURO		
AIRE ACEITE GAS OIL	9001	120	142	180	371,00	1SN	1/4	15	549,08	9075	61,00		
						2SN			592,47				
						I21			-				
	9002	150	180	210	426,00	1SN	1/4	20	655,59	9076	61,00		
						2SN			713,44				
						I21			-				
AIRE OIL DIESEL-OIL	9003	120	142	180	371,00	1SN	3/8	15	565,52	9075	61,00		
						2SN			614,17				
						I21			559,60				
	9004	150	180	210	426,00	1SN	3/8	20	676,63	9076	61,00		
						2SN			742,37				
						I21			668,74				
ACERO PINTADO	9005	120	142	180	371,00	1SN	1/2	10	538,83	9075	61,00		
						2SN			569,07				
						I21			533,57				
PAINTED STEEL	9006	150	180	210	426,00	1SN	1/2	20	724,22	9076	61,00		
						2SN			784,71				
						I21			713,70				
400 bar 40°C	9007	120	142	180	371,00	1SN	5/16	15	559,60	9075	61,00		
						2SN			604,97				
						I21			553,69				
	9008	150	180	210	426,00	1SN	5/16	20	668,74	9076	61,00		
						2SN			729,22				
						I21			660,85				
GRASA GREASE 400 bar	9009	120	142	180	371,00	2SN	1/4	15	592,00	9075	59,00		
	9010	150	180	210	426,00				20			713,28	9076
AGUA WATER ACERO INOX STAINLESS STEEL 250 bar 150°C	9011	120	142	180	809,00	I21	3/8	15	997,45	9077	124,00		
	9012	150	180	210	848,00				20	1090,81	9078	128,00	
	9013	120	142	180	809,00				1/2	10	971,42	9077	124,00
	9014	150	180	210	848,00				1/2	20	1135,77	9078	128,00
	9015	120	142	180	809,00				5/16	15	991,53	9077	124,00
	9016	150	180	210	848,00				5/16	20	1082,92	9078	128,00


OPCIONAL SOPORTE GIRATORIO


	MODELO MODEL	PFRESION WORK.PRESS. MAX bar	A	B	C	D	E	F	sin tubo without hose EURO	Tubo /Hose			Con tubo With hose EURO	Soporte giratorio Swivel bracket	
										tipo type	Ø	m		Tipo Type	EURO
AIRE ACEITE GAS OIL AIR OIL DIESEL-OIL	9100-08	400	250	265	300	265	295	310	1026,00	I21	5/16"	25	1312,36	9084	150,00
	9100-10										3/8"		1322,22		
	9100-12										1/2"		1375,73		
	9101-08	400	300	415	350	205	235	435	1132,00	I21	5/16"	40	1574,67	9079	152,00
	9101-10										3/8"		1590,45		
	9101-12										1/2"		1669,61		
ACERO PINTADO PAINTED STEEL	9102-19	80	150	265	205	205	235	305	690,00	2TE	3/4"	10	981,54	9076	64,00
	9102-25										1"		1027,69		
	9103-19	80	300	415	350	205	235	435	1176,00	2TE	3/4"	18	1387,31	9079	153,00
	9103-25										1"		1460,81		
	9105-19										80		400		
	9105-25	1"	2335,19												
AGUA MAX 150°C ACERO INOX WATER MAX 150°C STAINLESS STEEL	9150-08	250	250	265	300	265	295	310	1400,00	I21	5/16"	25	1687,09	9085	237,00
	9150-10										3/8"		1696,95		
	9150-12										1/2"		1750,47		
	9151-08	250	300	415	350	205	235	435	1619,00	I21	5/16"	40	2061,17	9080	267,00
	9151-10										3/8"		2076,95		
	9151-12										1/2"		2156,10		
	9152-19	80	150	265	205	205	235	305	1216,00	2TE	3/4"	10	1507,48	9078	118,00
	9152-25										1"		1553,63		
	9153-19	80	300	415	350	205	235	435	1477,00	2TE	3/4"	18	1954,01	9080	267,00
	9153-25										1"		2027,51		
	9155-19										80		400		
	9155-25	1"	2657,33												


RL 16

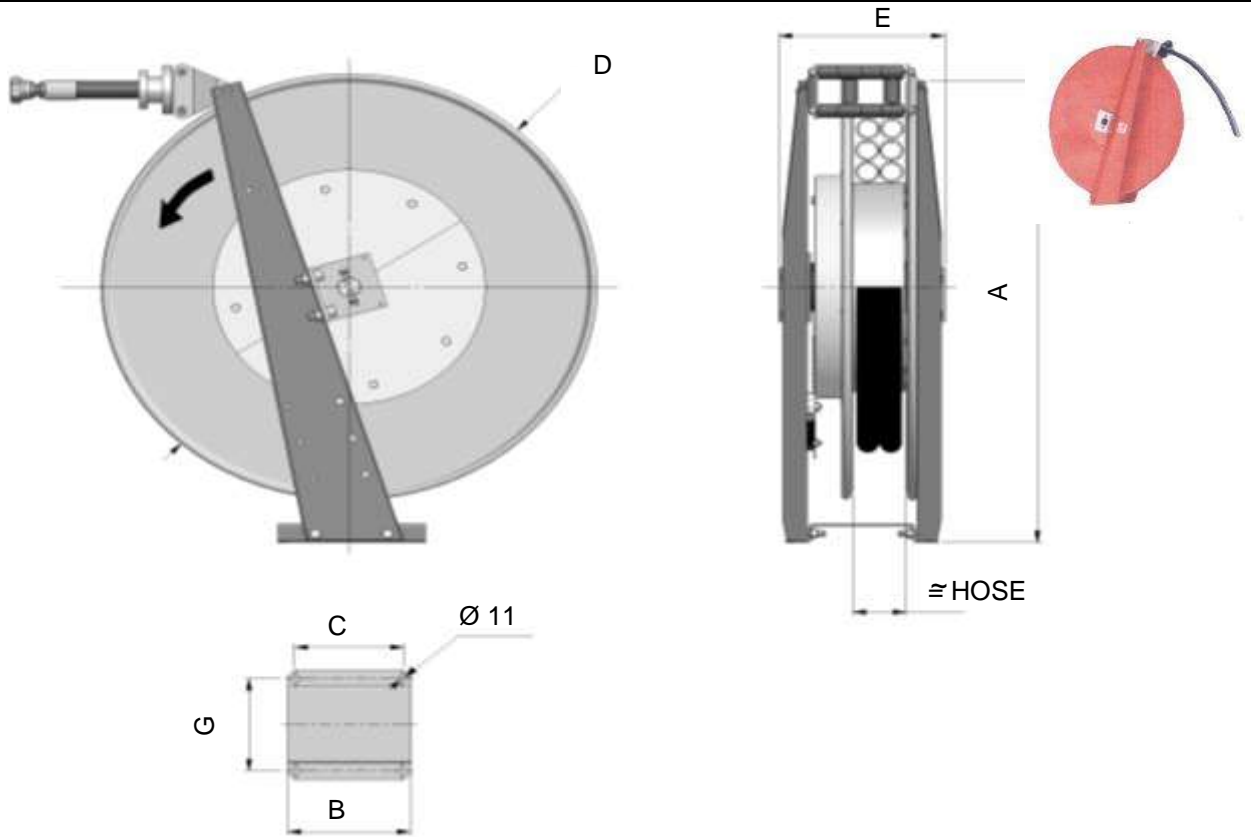
MV 832

710.12.27

710.12.28

6800

CODIFO CODE	DESCRIPCION DESCRIPTION	ATTACCO COUPLING	Temperatura trabajo WORK. TEMPERATURE MAX		Presion WORK. PRESSURE MAX		Capacidad FLOW RATE MAX L/min	precio PRICE EURO
			°C	°F	bar	Mpa		
RL 16	Lanza 3/8 hidro limpieza, chorro fijo	3/8"	100	210	175	17,5	30	190,00
MV 832	Lanza hidro limpieza chorro regulable	-	150	302	200	20	25	257,00
	Spray gun with flushing regulator							
6800	Pistola 1/2" hidro limpieza chorro fijo	1/2"	160	320	60	6	120	148,00
710.12.27	Lanza anti incendio chorro regulable	M38x1,5	60	140	40	4	170	958,00
710.12.28	Pistola 1/2" hidro limpieza chorro fregable	1/2"	90	195	24	2,4	100	148,00



MODELO MODEL	PRESION WORK.PRESS MAX bar	A	B	C	D	E	G	sin tubo without hose EURO	Tubo /Hose			Con tubo With hose EURO
									tipo type	Ø	m	
AG400.06 LS/300	300	670	200	160	400	200	160	692,00	B1	1/4"	7,3	849,53
AG400.08 LS/300										5/16"	6,5	871,22
AG400.10 LS/300										3/8"	5,6	847,56
AG470.06 LS/300	300	670	200	160	470	200	160	805,00	B1	1/4"	11,5	1044,26
AG470.08 LS/300										5/16"	10,5	1082,65
AG470.10 LS/300										3/8"	10,0	1067,66
AG520.06 LS/300	300	670	200	160	520	200	160	907,00	B1	1/4"	14,5	1205,20
AG520.08 LS/300										5/16"	13,5	1258,98
AG520.10 LS/300										3/8"	12,5	1231,10
AG600.06 LS/300	300	670	200	160	620	200	160	1008,00	B1	1/4"	21,0	1432,93
AG600.08 LS/300										5/16"	17,0	1446,21
AG600.10 LS/300										3/8"	16,0	1417,42
AG600.12 LS/300										1/2"	12,0	-
AG700.06 LS/300	300	780	290	260	720	237	192	1266,00	B1	1/4"	23,0	1729,56
AG700.08 LS/300										5/16"	21,0	1802,27
AG700.10 LS/300										3/8"	21,0	1796,75
AG700.12 LS/300										1/2"	15,0	-
AG800.06 LS/300	300	890	290	260	820	237	192	1617,00	B1	1/4"	28,0	2177,93
AG800.08 LS/300										5/16"	26,0	2276,28
AG800.10 LS/300										3/8"	25,0	2245,12
AG800.12 LS/300										1/2"	21,0	-
AG470.06 LS/700	700	670	200	160	470	200	160	985,00	B3	1/4"	9,0	1447,66
AG520.06 LS/700											12,5	1710,05
AG600.06 LS/700											17,5	2041,32
AG700.06 LS/700											25,0	2645,49
AG800.06 LS/700											28,0	3133,30