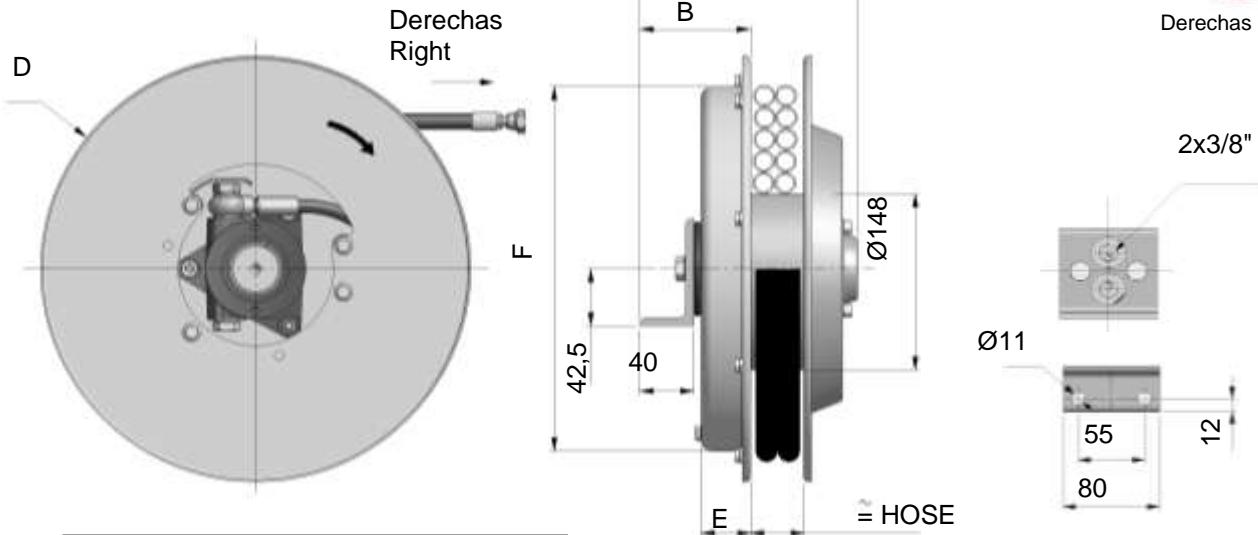
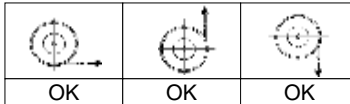




MAX
30 l/min

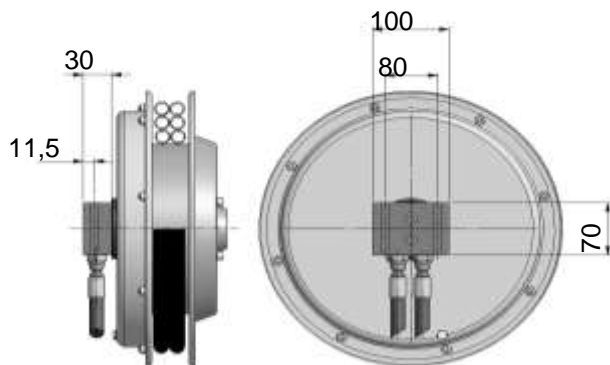
W. P.
300 bar

MAX HOSE
SPEED



AGD 400 = MODELO DERECHAS/ RIGHT MODEL
AGS 400 = MODELO IZQUIERDAS / LEFT MODEL
Es. ORD: AGD 400.10.R7

Modelo derechas	A	B	D	E	F	sin tubo		Con tubo/With Hose R7-R8-B1						Con tubo/With Hose B2		
						without hose		Long.total	Long.util	R7	R8	B1	Total	util	B2	
						EURO	Ø									Total length
Right code	mm					EURO	Ø	m	m	EURO	EURO	EURO	m	m	EURO	
AGD200.05.XX	133	65	200	30	195	410,00	3/16"	2,5	2,3	459,00	-	-	-	-	-	
AGD200.06.XX							1/4"	1,5	1,3	445,00	476,90	455,20	-	-	-	
AGD230.05.XX	141	75	235	30	228	415,00	3/16"	3,0	2,7	470,00	-	-	-	-	-	
AGD230.06.XX							1/4"	2,2	1,9	460,00	505,96	474,14	-	-	-	
AGD230.08.XX							5/16"	2,0	1,7	473,00	522,26	484,39	-	-	-	
AGD230.10.XX							3/8"	2,0	1,7	474,00	518,58	483,87	-	-	-	
AGD270.05.XX	150	75	275	30	272	431,00	3/16"	4,5	4,2	504,00	-	-	-	-	-	
AGD270.06.XX							1/4"	4,0	3,7	499,00	582,74	524,89	-	-	-	
AGD270.08.XX							5/16"	3,2	2,9	509,00	588,00	529,76	2,6	2,3	540,00	
AGD270.10.XX							3/8"	2,8	2,5	505,00	573,28	519,11	2,5	2,2	588,00	
AGD295.06.XX	150	75	295	35	272	439,00	1/4"	4,7	4,4	516,00	614,43	546,45	-	-	-	
AGD295.08.XX							5/16"	4,2	3,9	534,00	637,44	562,23	3,5	3,2	578,00	
AGD295.10.XX							3/8"	3,6	3,3	528,00	616,14	546,45	3,0	2,7	616,00	
AGD320.06.XX	150	82	325	37	272	446,00	1/4"	5,5	5,2	533,00	648,09	568,54	-	-	-	
AGD320.08.XX							5/16"	5,0	4,7	555,00	677,15	588,40	4,0	3,7	600,00	
AGD320.10.XX							3/8"	4,5	4,2	552,00	661,90	574,99	4,0	3,7	663,00	
AGD340.06.XX	150	82	340	37	272	459,00	1/4"	6,0	5,7	553,00	678,20	591,42	-	-	-	
AGD340.08.XX							5/16"	5,3	5,0	573,00	702,79	609,04	4,5	4,2	631,00	
AGD340.10.XX							3/8"	4,6	4,3	567,00	679,52	590,50	4,3	4,0	689,00	



SOPORTE OPCIONAL BAJO DEMANDA
OPTIONAL SUPPORT UPON REQUEST

Ref./B

Ex.: AGD 295.10.R7/B

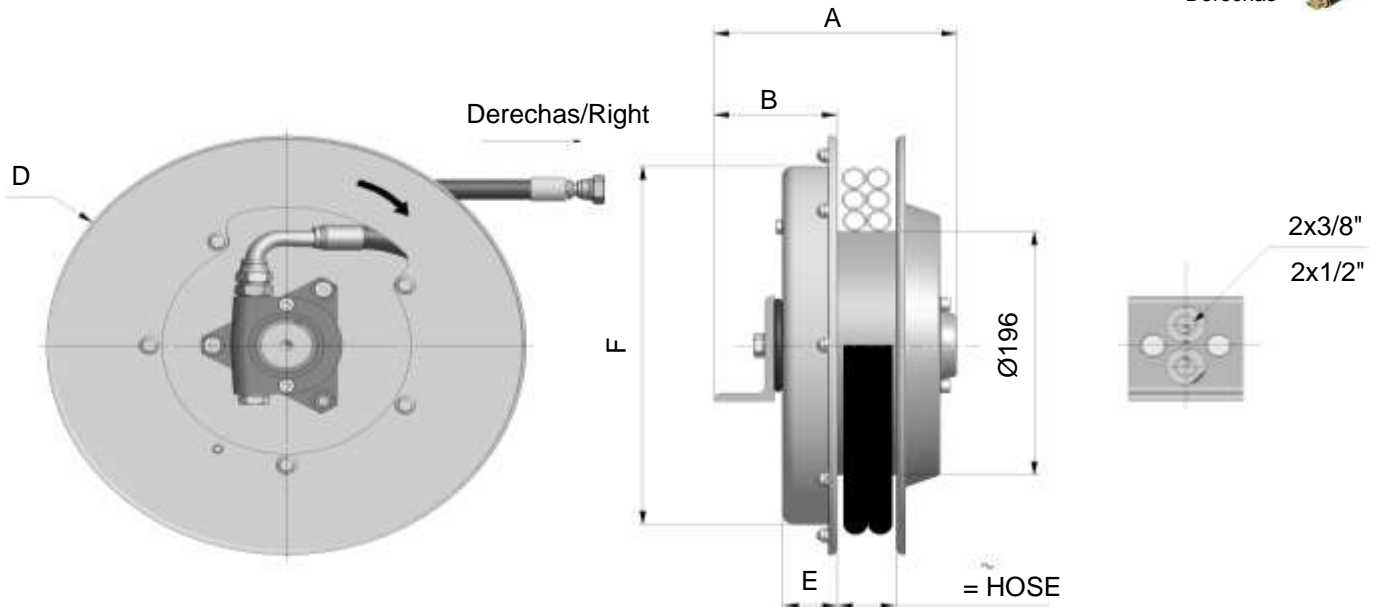
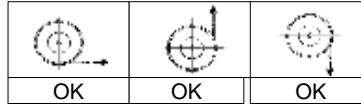
EURO

66,00



MAX
40 l/min

W. P. 300 bar
Option 400 bar



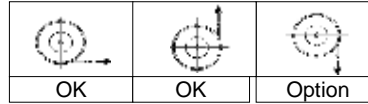
AGD 400 = MODELO DERECHAS / RIGHT MODEL
AGS 400 = MODELO IZQUIERDAS / LEFT MODEL
Es. ORD: AGD 400.10.R7

Modelo derechas	A	B	D	E	F	sin tubo without hose	Tubo/Hose		Con tubo - with hose				
							Ø	Longitud total	long.util	R7	R8	B1	B2
								Total length	Usable length	XX=R7	XX=R8	XX=B1	XX=B2
Right model	mm					EURO	m	m	EURO	EURO	EURO	EURO	
AGD296.06.XX	161	75	295	35	291	439,00	1/4"	3,0	2,7	494,39	556,71	513,32	-
AGD296.08.XX							5/16"	2,3	2,0	502,14	558,42	515,56	538,43
AGD296.10.XX							3/8"	2,3	2,0	503,46	559,34	514,90	587,61
AGD296.12.XX							1/2"	1,5	1,2	-	656,11	615,88	650,07
AGD321.06.XX	161	82	325	37	272	446,00	1/4"	4,0	3,7	514,11	597,21	539,35	-
AGD321.08.XX							5/16"	3,2	2,9	524,10	602,47	544,22	574,59
AGD321.10.XX							3/8"	3,3	3,0	529,36	609,57	545,80	634,94
AGD321.12.XX							1/2"	2,5	2,2	-	723,17	656,11	702,66
AGD341.06.XX	161	82	340	37	272	459,00	1/4"	5,0	4,7	540,41	644,28	571,96	-
AGD341.08.XX							5/16"	4,2	3,9	554,34	657,17	581,96	620,61
AGD341.10.XX							3/8"	4,0	3,7	555,92	653,22	575,91	676,63
AGD341.12.XX							1/2"	2,5	2,2	-	735,00	667,95	714,49
AGD370.06.XX	161	82	370	37	272	486,00	1/4"	6,0	5,7	581,17	705,82	619,03	-
AGD370.08.XX							5/16"	5,3	5,0	600,76	730,40	636,65	684,38
AGD370.10.XX							3/8"	4,5	4,2	593,26	702,66	615,75	724,62
AGD370.12.XX							1/2"	3,5	3,2	-	824,42	730,53	789,44
AGD400.06.XX	161	82	400	47	322	500,00	1/4"	7,3	7,0	611,41	763,14	657,56	-
AGD400.08.XX							5/16"	6,5	6,2	634,42	793,38	679,26	736,98
AGD400.10.XX							3/8"	5,6	5,3	627,71	763,93	655,59	782,60
AGD400.12.XX							1/2"	4,5	4,2	-	896,73	776,03	847,29
AGD420.06.XX	161	82	420	47	322	556,00	1/4"	8,6	8,1	685,04	863,73	739,34	-
AGD420.08.XX							5/16"	8,0	7,5	716,60	912,25	772,61	842,82
AGD420.10.XX							3/8"	6,7	6,2	705,42	868,46	738,95	883,98
AGD420.12.XX							1/2"	4,7	4,2	-	966,68	840,72	914,35
AGD470.06.XX	161	82	478	47	322	609,00	1/4"	11,5	11,0	775,77	1014,94	848,35	-
AGD470.08.XX							5/16"	10,0	9,5	803,38	1047,94	874,38	961,16
AGD470.10.XX							3/8"	9,5	9,0	812,19	1043,21	859,65	1050,70
AGD470.12.XX							1/2"	7,5	7,0	-	1188,63	987,46	1095,80

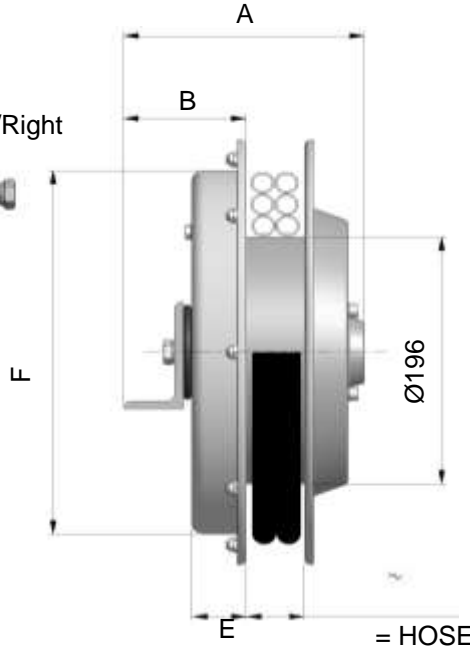
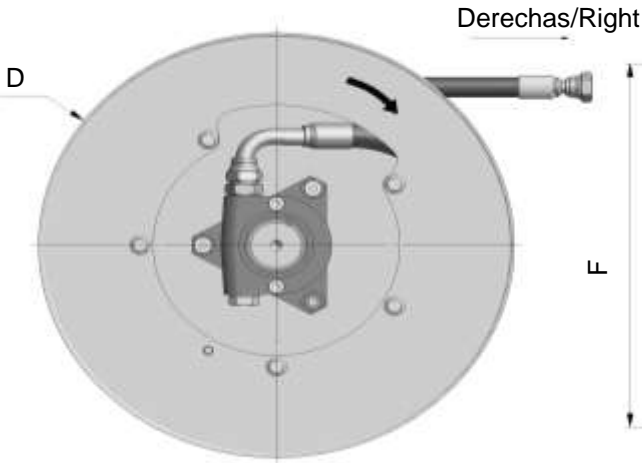


MAX
40 l/min

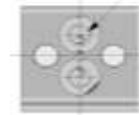
W. P. 300 bar
Option 400 bar



Derechas



2x3/8"
2x1/2"



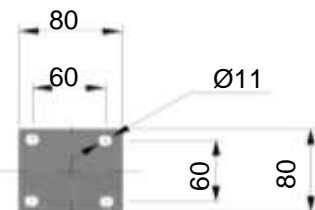
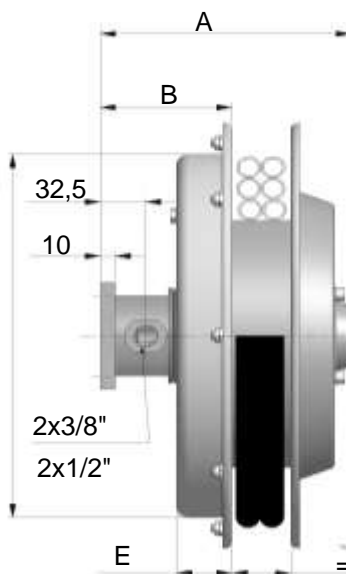
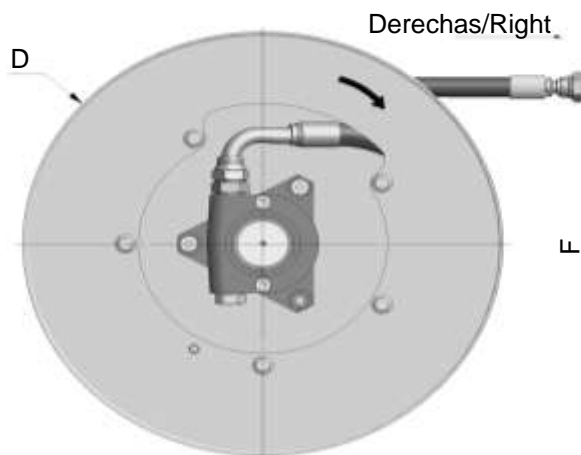
AGD 400 = MODELO DERECHAS/ RIGHT MODEL
AGS 400 = MODELO IZQUIERDAS / LEFT MODEL
Es. ORD: AGD 400.10.R7

Modelo derechas	A	B	D	E	F	sintubo without hose	Tubo/Hose		Con tubo - with hose				
							Ø	Long.total	Long.util	R7	R8	B1	B2
								Total length	Usable length	XX=R7	XX=R8	XX=B1	XX=B2
Right model	mm					EURO	m	m	EURO	EURO	EURO	EURO	
AGD520.06.XX	171	92	520	47	322	709,00	1/4"	14,5	14,0	915,14	1216,37	1006,65	-
AGD520.08.XX					742,00	5/16"	12,5	12,0	946,04	1251,74	1035,84	1143,27	
AGD520.10.XX					761,37	3/8"	11,2	10,7	977,86	1250,30	1033,74	1252,80	
AGD520.12.XX					422	761,37	1/2"	9,0	8,5	-	1401,64	1160,23	1287,11
AGD570.06.XX	171	92	570	47	422	810,00	1/4"	17,5	17,0	1015,07	1378,63	1125,52	-
AGD570.08.XX					810,00	5/16"	15,5	15,0	1057,80	1436,88	1170,09	1302,37	
AGD570.10.XX					781,00	3/8"	13,5	13,0	1061,75	1390,07	1129,20	1385,99	
AGD570.12.XX					861,00	1/2"	10,7	10,2	-	1555,74	1268,84	1416,63	
AGD600.06.XX	171	92	620	47	422	804,00	1/4"	21,0	20,5	1096,59	1532,86	1229,13	-
AGD600.08.XX					804,00	5/16"	17,0	16,5	1118,94	1534,70	1242,41	1387,17	
AGD600.10.XX					840,00	3/8"	16,0	15,5	1169,17	1558,37	1249,11	1547,06	
AGD600.12.XX					911,00	1/2"	12,5	12,0	-	1714,57	1379,28	1549,43	
AGD650.06.XX	181	102	650	57	422	922,00	1/4"	22,5	22,0	1233,34	1700,77	1375,34	-
AGD650.08.XX					922,00	5/16"	19,5	19,0	1278,70	1755,60	1420,97	1586,37	
AGD650.10.XX					922,00	3/8"	17,5	17,0	1279,75	1705,37	1367,19	1689,72	
AGD650.12.XX					922,00	1/2"	14,5	14,0	-	1846,06	1457,12	1651,99	
AGD700.06.XX	181	102	720	57	532	1070,00	1/4"	27,0	26,5	1441,08	2002,00	1611,49	-
AGD700.08.XX					1070,00	5/16"	22,0	21,5	1470,01	2008,05	1630,95	1817,13	
AGD700.10.XX					1103,00	3/8"	20,0	19,5	1509,46	1995,95	1609,38	1973,07	
AGD700.12.XX					1173,00	1/2"	16,0	15,5	-	2187,92	1758,75	1972,15	
AGD800.08.XX	191	112	820	67	532	1450,00	5/16"	30,0	29,0	1986,75	2720,44	2207,64	2460,10
AGD800.10.XX					1450,00	3/8"	26,0	25,0	1972,55	2604,99	2102,46	2564,76	
AGD800.12.XX					1537,00	1/2"	21,0	20,0	-	2854,55	2291,27	2566,47	
AGD900.08.XX	201	122	920	67	532	1557,00	5/16"	38,0	37,0	2230,00	3159,34	2510,85	2829,57
AGD900.10.XX					1557,00	3/8"	34,0	33,0	2233,68	3060,72	2403,56	2997,35	
AGD900.12.XX					1557,00	1/2"	28,0	27,0	-	3297,66	2546,61	2908,33	
AGD1000.10.XX	226	122	1000	67	687	1965,00	3/8"	36,0	35,0	2679,94	3555,64	2859,81	3486,47
AGD1000.12.XX							1/2"	35,0	34,0	-	4128,65	3189,84	3638,08



MAX
40 l/min

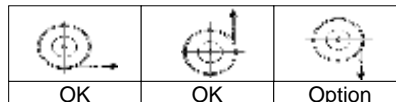
W. P. 300 bar
Option 400 bar



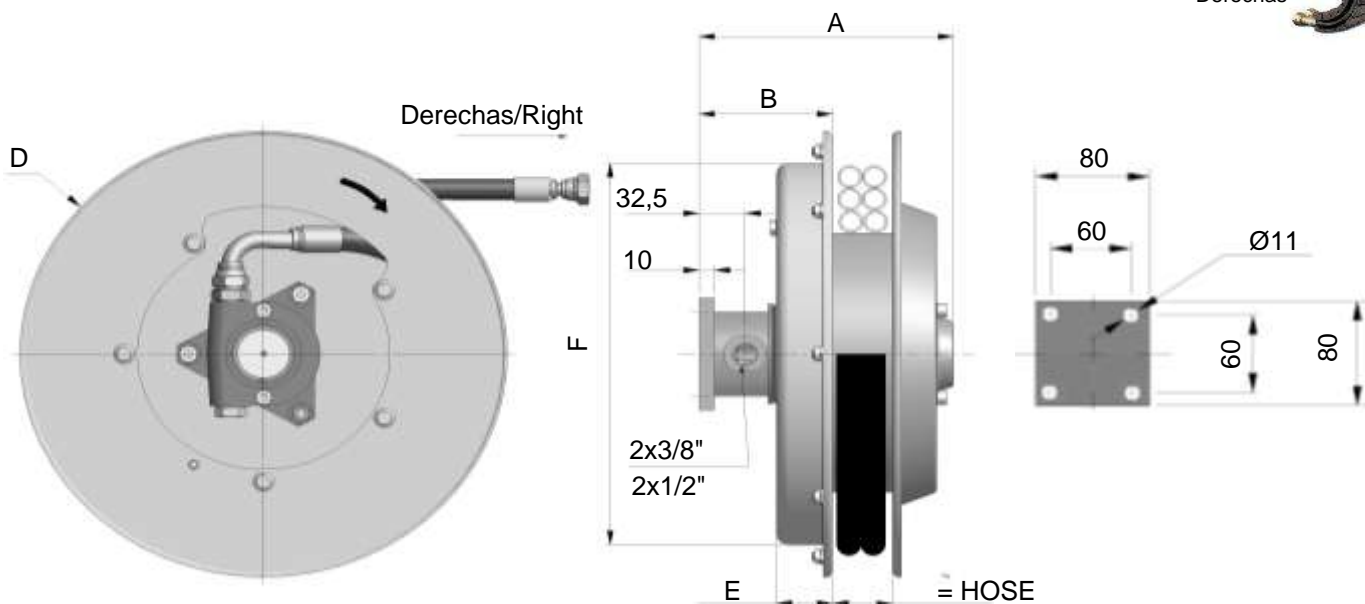
AGD 400 = MODELO DERECHAS/ RIGHT MODEL
AGS 400 = MODELO IZQUIERDAS / LEFT MODEL
Es. ORD: AGD 400.10.R7/F

Modelo derechas Right model	A	B	D	E	F	sin tubo without hose		Con tubo/With hose					
						EURO	Ø	Long.total Total length m	Long.util Usable length m	R7 XX=R7 EURO	R8 XX=R8 EURO	B1 XX=B1 EURO	B2 XX=B2 EURO
AGD270.06.XX/F	166		275	30	270	479,00	1/4"	4,0	3,7	546,98	630,08	572,23	-
AGD270.08.XX/F							5/16"	3,2	2,9	556,97	635,34	577,09	607,46
AGD270.10.XX/F							3/8"	2,8	2,5	552,50	620,61	566,44	647,44
AGD296.06.XX/F	166	75	295	35	291	487,00	1/4"	3,0	2,7	541,72	604,05	560,65	-
AGD296.08.XX/F							5/16"	2,3	2,0	549,48	605,75	562,89	585,77
AGD296.10.XX/F							3/8"	2,3	2,0	550,79	606,67	562,23	634,94
AGD296.12.XX/F	212					552,00	1/2"	1,5	1,2	-	690,30	650,07	684,25
AGD321.06.XX/F	166	82	325	37	272	493,00	1/4"	4,0	3,7	561,44	644,54	586,69	-
AGD321.08.XX/F							5/16"	3,2	2,9	571,44	649,80	591,55	621,93
AGD321.10.XX/F							3/8"	3,3	3,0	576,70	656,90	593,13	682,28
AGD321.12.XX/F	212					560,00	1/2"	2,5	2,2	-	758,67	691,61	738,16
AGD341.06.XX/F	166	82	340	37	272	506,00	1/4"	5,0	4,7	587,74	691,61	619,30	-
AGD341.08.XX/F							5/16"	4,2	3,9	601,68	704,50	629,29	667,95
AGD341.10.XX/F							3/8"	4,0	3,7	603,26	700,56	623,24	723,96
AGD341.12.XX/F	212					572,00	1/2"	2,5	2,2	-	770,51	703,45	749,99
AGD370.06.XX/F	166	82	370	37	272	518,00	1/4"	6,0	5,7	628,50	753,15	666,37	-
AGD370.08.XX/F							5/16"	5,3	5,0	648,09	777,74	683,99	731,72
AGD370.10.XX/F							3/8"	4,5	4,2	640,60	749,99	663,08	771,95
AGD370.12.XX/F	212					590,00	1/2"	3,5	3,2	-	866,49	772,61	831,52
AGD400.06.XX/F	166	82	400	47	322	547,00	1/4"	7,3	7,0	658,74	810,48	704,89	-
AGD400.08.XX/F							5/16"	6,5	6,2	681,75	840,72	726,59	784,31
AGD400.10.XX/F							3/8"	5,6	5,3	675,05	811,27	702,92	829,94
AGD400.12.XX/F	212					625,00	1/2"	4,5	4,2	-	944,07	823,36	894,63
AGD420.06.XX/F	166	97	420	47	322	605,00	1/4"	8,6	8,1	733,69	912,38	787,99	-
AGD420.08.XX/F							5/16"	8,0	7,5	765,25	960,90	821,26	891,47
AGD420.10.XX/F							3/8"	6,7	6,2	754,07	917,11	787,60	932,63
AGD420.12.XX/F	212					684,00	1/2"	4,7	4,2	-	1015,33	889,37	963,00
AGD470.06.XX/F	166	97	478	47	322	652,00	1/4"	11,5	11,0	823,10	1062,01	895,68	-
AGD470.08.XX/F							5/16"	10,0	9,5	850,71	1095,28	921,71	1008,50
AGD470.10.XX/F							3/8"	9,5	9,0	859,52	1090,54	907,12	1098,04
AGD470.12.XX/F	212					735,00	1/2"	7,5	7,0	-	1235,97	1034,79	1143,14

MAX
40 l/min

W. P. 300 bar
Option 400 bar


Derechas


 AGD 400 = MODELO DERECHAS/ RIGHT MODEL
 AGS 400 = MODELO IZQUIERDAS / LEFT MODEL
 Es. ORD: AGD 400.10.R7/F

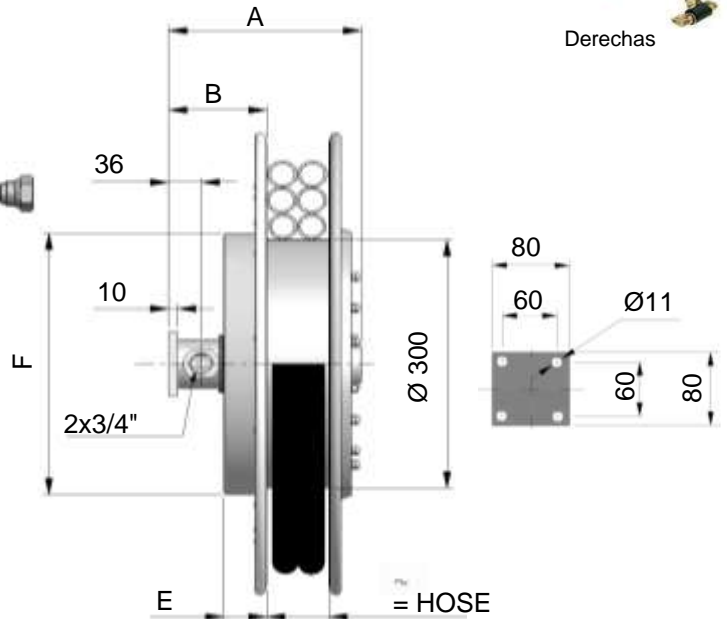
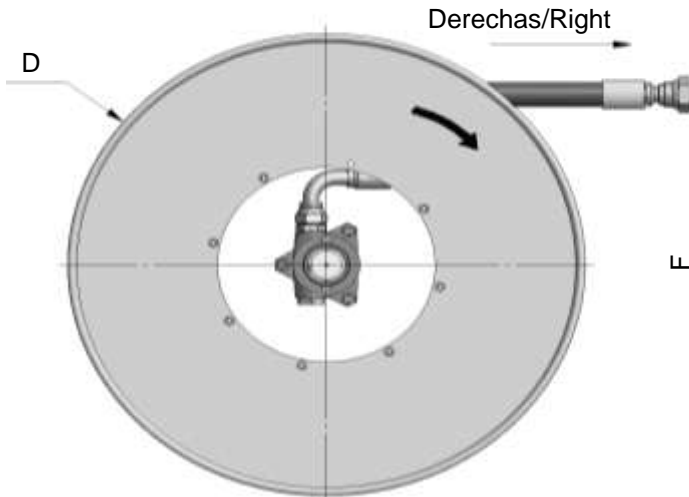
Modelo derechas Right model	A	B	D	E	F	sin tubo	Con tubo/With hose						
						without hose	Ø	Long. Total Total length m	Long. Util Usable length m	R7	R8	B1	B2
						EURO				XX=R7	XX=R8	XX=B1	XX=B2
mm										EURO	EURO	EURO	EURO
AGD520.06.XX/F	176	97	520	47	322	779,00	1/4"	14,5	14,0	962,48	1263,71	1053,99	-
AGD520.08.XX/F						5/16"	12,5	12,0	993,37	1299,08	1083,18	1190,60	
AGD520.10.XX/F						3/8"	11,2	10,7	1025,19	1297,63	1081,08	1300,13	
AGD520.12.XX/F	212					872,00	1/2"	9,0	8,5	-	1463,44	1222,03	1348,91
AGD570.06.XX/F	176	97	570	47	322	817,00	1/4"	17,5	17,0	1062,40	1425,96	1172,85	-
AGD570.08.XX/F						5/16"	15,5	15,0	1105,14	1484,21	1217,43	1349,70	
AGD570.10.XX/F					3/8"	13,5	13,0	1109,08	1437,40	1176,53	1433,33		
AGD570.12.XX/F	212				422	922,00	1/2"	10,7	10,2	-	1616,22	1329,32	1477,11
AGD600.06.XX/F	176	97	620	47	422	853,00	1/4"	21,0	20,5	1145,24	1581,51	1277,78	-
AGD600.08.XX/F						5/16"	17,0	16,5	1167,59	1583,35	1291,06	1435,82	
AGD600.10.XX/F						3/8"	16,0	15,5	1216,51	1605,70	1296,45	1594,40	
AGD600.12.XX/F	212					972,00	1/2"	12,5	12,0	-	1775,06	1439,77	1609,91
AGD650.06.XX/F	176	97	650	47	422	969,00	1/4"	22,5	22,0	1280,67	1748,10	1422,68	-
AGD650.08.XX/F						5/16"	19,5	19,0	1326,03	1802,93	1468,30	1633,71	
AGD650.10.XX/F						3/8"	17,5	17,0	1359,96	1785,58	1447,39	1769,93	
AGD650.12.XX/F	212					1086,00	1/2"	14,5	14,0	-	2010,42	1621,48	1816,34
AGD700.06.XX/F	176	97	720	47	532	1118,00	1/4"	27,0	26,5	1488,42	2049,34	1658,82	-
AGD700.08.XX/F						5/16"	22,0	21,5	1517,34	2055,38	1678,28	1864,47	
AGD700.10.XX/F						3/8"	20,0	19,5	1556,79	2043,29	1656,72	2020,41	
AGD700.12.XX/F	212					1234,00	1/2"	16,0	15,5	-	2248,41	1819,24	2032,64
AGD800.08.XX/F	186	107	820	57	532	1498,00	5/16"	30,0	29,0	2034,08	2767,77	2254,98	2507,43
AGD800.10.XX/F						3/8"	26,0	25,0	2019,88	2652,33	2149,79	2612,09	
AGD800.12.XX/F	212					1598,00	1/2"	21,0	20,0	-	2915,04	2351,75	2626,95


MAX
80 l/min

W. P.
350 bar

MAX HOSE SPEED
30 m/min

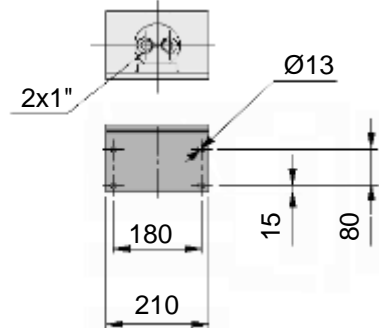
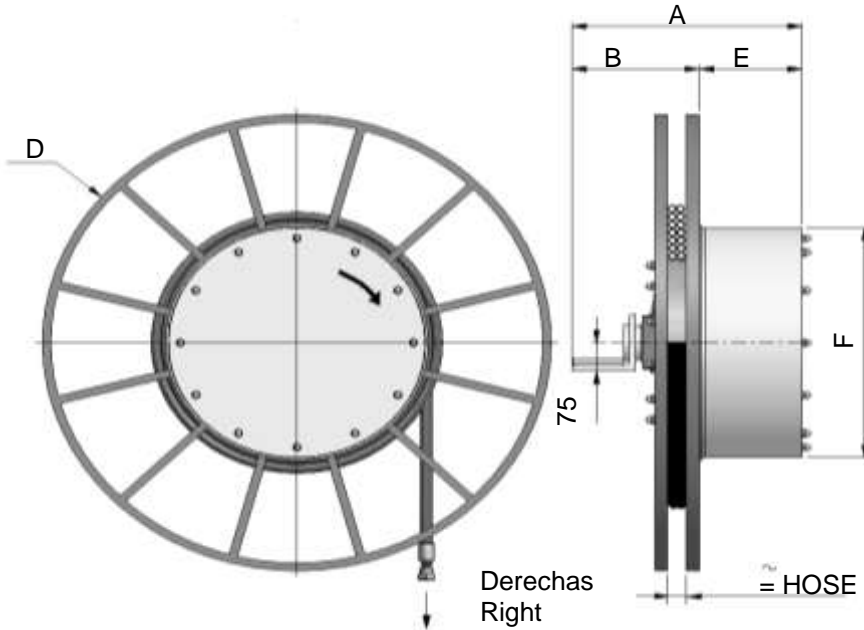

Derechas

 AGD470 = MODELO DERECHAS / RIGHT MODEL
 AGS470 = MODELO IZQUIERDAS / LEFT MODEL
 Es. ORD. AGD470.19.12.B2


Modelo derechas Right model	A	B	D	E	F	sin tubo without hose	Ø	Con tubo - with B1 hose			Con tubo - with B2-B3 hose			
								Long.total	Long.util	B1	Long.total	Long.util	B2	B3
								Total length m	Usable length m	XX=B1 EURO	Total length m	Usable length m	XX=B2 EURO	XX=B3 EURO
AGD420.19.12.XX							1/2"	3,5	3,0	968,48	3,5	3,0	1027,43	1141,69
AGD420.19.16.XX	212	108	420	47	322	803,00	5/8"	-	-	-	2,6	2,1	-	1184,95
AGD420.19.19.XX							3/4"	-	-	-	2,6	2,1	-	1212,30
AGD470.19.12.XX							1/2"	5,0	4,5	1070,18	5,0	4,5	1147,73	1286,59
AGD470.19.16.XX	212	108	478	47	322	855,00	5/8"	-	-	-	4,0	3,5	-	1376,13
AGD470.19.19.XX							3/4"	-	-	-	4,0	3,5	-	1418,20
AGD520.19.12.XX							1/2"	8,0	7,5	1308,47	6,8	6,3	1367,30	1535,75
AGD520.19.16.XX	212	108	520	47	422	992,00	5/8"	-	-	-	5,4	4,9	-	1652,77
AGD520.19.19.XX							3/4"	-	-	-	5,4	4,9	-	1709,58
AGD570.19.12.XX							1/2"	10,0	9,5	1426,56	8,5	8,0	1496,87	1693,27
AGD570.19.16.XX	222	108	570	47	422	1043,00	5/8"	-	-	-	7,0	6,5	-	1863,94
AGD570.19.19.XX							3/4"	-	-	-	7,0	6,5	-	1937,57
AGD600.19.12.XX							1/2"	12,0	11,5	1543,57	12,0	11,5	1707,82	1961,77
AGD600.19.16.XX	232	128	620	57	422	1093,00	5/8"	-	-	-	8,8	8,3	-	2093,78
AGD600.19.19.XX							3/4"	-	-	-	7,5	7,0	-	2042,76
AGD650.19.12.XX							1/2"	13,0	12,5	1690,38	-	-	-	-
AGD650.19.16.XX	242	138	650	67		1206,00	5/8"	-	-	-	10,0	9,5	-	2326,77
AGD650.19.19.XX							3/4"	-	-	-	9,0	8,5	-	2321,51
AGD700.19.12.XX							1/2"	18,0	17,5	2007,39	16,4	15,9	2171,96	2498,23
AGD700.19.16.XX	242	138	720	67	532	1354,00	5/8"	-	-	-	13,0	12,5	-	2775,14
AGD700.19.19.XX							3/4"	-	-	-	11,5	11,0	-	2746,21
AGD800.19.12.XX							1/2"	25,0	24,0	2607,37	21,0	20,0	2747,90	3149,74
AGD800.19.16.XX	242	138	820	67	532	1719,00	5/8"	-	-	-	17,5	16,5	-	3589,03
AGD800.19.19.XX							3/4"	-	-	-	16,0	15,0	-	3607,44
AGD900.19.12.XX							1/2"	30,0	29,0	2942,47	29,0	28,0	3283,10	3816,37
AGD900.19.16.XX	242	138	920	67	532	1885,00	5/8"	-	-	-	23,0	22,0	-	4305,63
AGD900.19.19.XX							3/4"	-	-	-	21,0	20,0	-	4271,44


**MAX
135 l/min**
**W. P.
350 bar**
**MAX HOSE
SPEED**

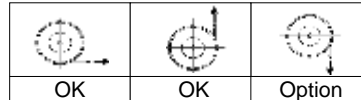

Derechas


 AGD 800 = MODELO DERECHAS / RIGHT MODEL
 AGS 800 = MODELO IZQUIERDAS / LEFT MODEL
 Es. ORD. AGD800.25.10.B1

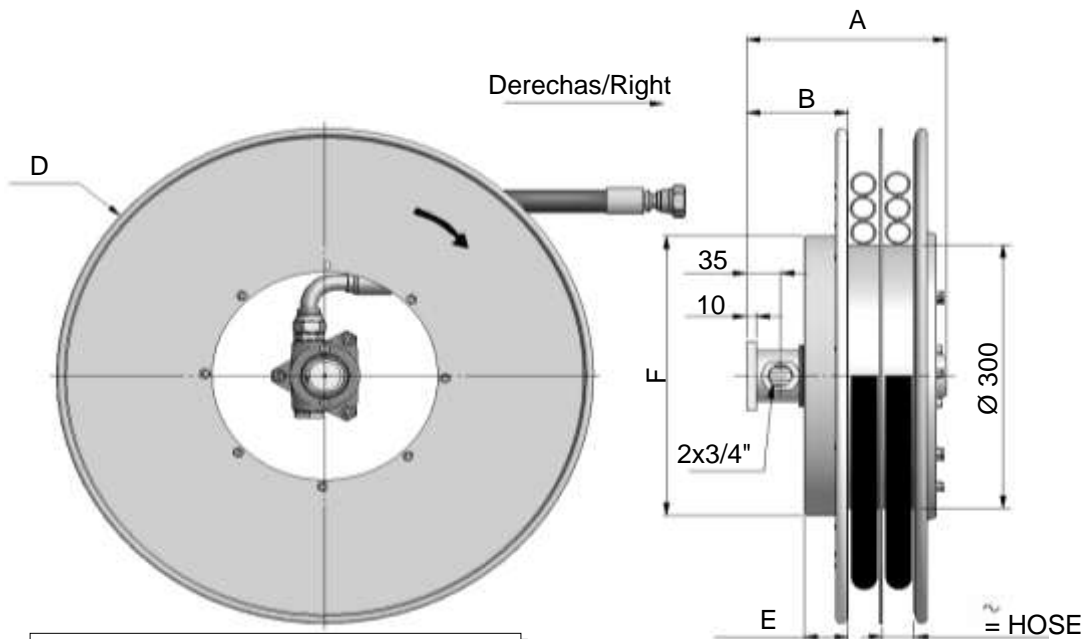
Modelo derechas Right model	A	B	D	E	F	sin tubo without hose		Tubo/Hose		Con tubo - with hose		
						EURO	Ø	Long.total	Long.util	B1	B2	B3
								Total length m	Usable length m	XX=B1 EURO	XX=B2 EURO	XX=B3 EURO
AGD800.25.10.XX	440	180	810	155	605	4240,00	3/8"	20	19	4.746,63	5.110,32	5.388,27
AGD800.25.12.XX							1/2"	18	17	4.893,63	5.131,75	5.484,27
AGD800.25.16.XX							5/8"	16	15	-	-	5.961,04
AGD800.25.19.XX							3/4"	15	14	-	-	6.018,88
AGD900.25.10.XX	440	180	910	190	605	4834,00	3/8"	26	25	5.485,58	5.947,89	6.296,84
AGD900.25.12.XX							1/2"	24	23	5.688,60	6.000,87	6.452,01
AGD900.25.16.XX							5/8"	22	21	-	-	7.153,61
AGD900.25.19.XX							3/4"	20	19	-	-	7.164,13
AGD1000.25.10.XX	490	180	1000	240	605	5188,00	3/8"	30	29	5.937,89	6.465,94	6.862,23
AGD1000.25.12.XX							1/2"	28	27	6.178,25	6.539,57	7.056,83
AGD1000.25.16.XX							5/8"	24	23	-	-	7.708,48
AGD1000.25.19.XX							3/4"	20	19	-	-	7.519,14
AGD1100.25.10.XX	490	180	1100	240	605	5720,00	3/8"	35	33	6.590,72	7.200,94	7.656,41
AGD1100.25.12.XX							1/2"	35	33	6.945,07	7.393,31	8.025,23
AGD1100.25.16.XX							5/8"	30	28	-	-	8.839,25
AGD1100.25.19.XX							3/4"	25	23	-	-	8.602,58
AGD1200.25.10.XX	540	180	1200	240	605	6135,00	3/8"	40	38	7.127,84	7.820,24	8.334,87
AGD1200.25.12.XX							1/2"	44	40	7.663,51	8.222,98	9.002,82
AGD1200.25.16.XX							5/8"	37	35	-	-	9.954,25
AGD1200.25.19.XX							3/4"	30	28	-	-	9.570,32
AGD1300.25.12.XX	540	180	1300	240	605	7100,00	1/2"	47	45	8.729,60	9.326,15	10.155,30
AGD1300.25.16.XX							5/8"	45	43	-	-	11.718,79
AGD1300.25.19.XX							3/4"	35	33	-	-	11.087,66
AGD1400.25.16.XX	540	180	1400	300	650	7692,00	5/8"	50	48	-	-	12.810,12
AGD1400.25.19.XX							3/4"	40	38	-	-	12.231,58

MAX
80 l/min

W. P.
350 bar

MAX HOSE
SPEED


Derechas

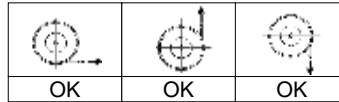

 A2D 420 = MODELO DERECHAS / RIGHT MODEL
 A2S 420 = MODELO IZQUIERDAS / LEFT MODEL
 Es . ORD. A2D 470.19.12.1SN

Modelo derechas Right model	A	B	D	E	F	sin tubo without hos EURO	Ø	Con tubo - with 1SN / 2SN hose				Con tubo - with 4SP hose		
								Long.total	Long.util	1SN	2SN	Long.total	Long.util	4 SP
								Total length m	Usable length m	XX=1SN EURO	XX=2SN EURO	Total length m	Usable length m	XX=4 SP EURO
A2D420.19.12.XX							1/2"	2,6	2,1	1028,35	1044,13	2,6	2,1	1148,66
A2D420.19.16.XX	212	108	420	47	322	885,00	5/8"	2,6	2,1	1062,27	1098,43	2,6	2,1	1189,42
A2D420.19.19.XX							3/4"	2,6	2,1	1096,99	1124,99	1,8	1,3	1155,36
A2D470.19.12.XX							1/2"	4,5	4,0	1129,07	1156,29	4,0	3,5	1301,18
A2D470.19.16.XX	212	108	478	47	322	936,00	5/8"	4,0	3,5	1156,55	1212,30	4,0	3,5	1352,20
A2D470.19.19.XX							3/4"	4,0	3,5	1199,41	1242,54	3,0	2,5	1308,81
A2D520.19.12.XX							1/2"	5,5	5,0	1291,85	1325,11	5,5	5,0	1546,40
A2D520.19.16.XX	212	118	520	57	422	1073,00	5/8"	5,5	5,0	1339,44	1416,10	4,5	4,0	1528,78
A2D520.19.19.XX							3/4"	4,2	3,7	1343,52	1388,75	4,2	3,7	1547,85
A2D570.19.12.XX							1/2"	7,2	6,7	1386,12	1429,64	7,2	6,7	1719,31
A2D570.19.16.XX	212	118	570	57	422	1123,00	5/8"	7,2	6,7	1441,74	1542,06	6,0	5,5	1698,27
A2D570.19.19.XX							3/4"	5,9	5,4	1455,68	1519,19	5,9	5,4	1742,71
A2D600.19.12.XX							1/2"	9,5	9,0	1495,91	1553,37	9,0	8,5	1899,44
A2D600.19.16.XX	222	128	620	67	422	1173,00	5/8"	9,2	8,7	1553,24	1681,44	7,5	7,0	1867,75
A2D600.19.19.XX							3/4"	7,6	7,1	1567,70	1649,62	7,3	6,8	1911,93
A2D650.19.12.XX							1/2"	10,5	10,0	1636,34	1699,85	10,5	10,0	2122,31
A2D650.19.16.XX	222	128	650	67	532	1288,00	5/8"	10,0	9,5	1692,22	1831,60	9,0	8,5	2101,67
A2D650.19.19.XX							3/4"	7,6	7,1	1682,10	1764,01	7,3	6,8	2026,33
A2D700.19.12.XX							1/2"	15,0	14,5	1902,07	1992,80	13,0	12,5	2451,68
A2D700.19.16.XX	222	128	720	67	532	1436,00	5/8"	13,4	12,9	1945,46	2132,17	11,5	11,0	2449,45
A2D700.19.19.XX							3/4"	10,0	9,5	1918,38	2026,19	10,0	9,5	2404,87
A2D800.19.12.XX							1/2"	20,0	19,0	2395,14	2516,11	17,0	16,0	3103,06
A2D800.19.16.XX	222	128	820	67	532	1799,00	5/8"	16,0	15,0	2388,31	2611,31	16,0	15,0	3170,91
A2D800.19.19.XX							3/4"	14,5	13,5	2445,77	2602,10	14,0	13,0	3108,58

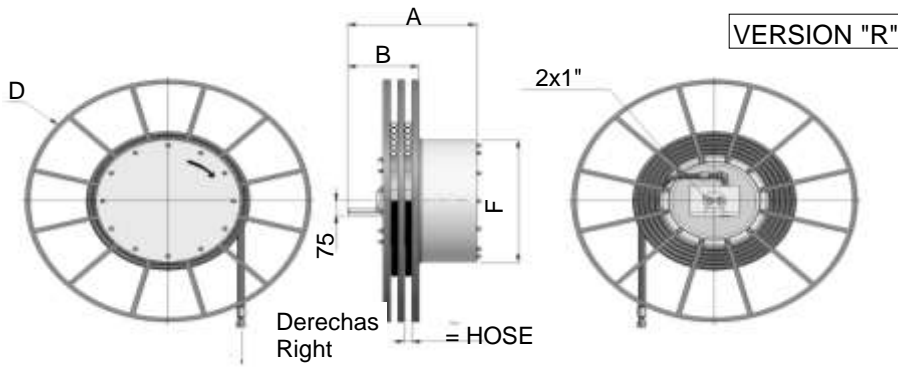
MAX
135 l/min

W. P.
350 bar

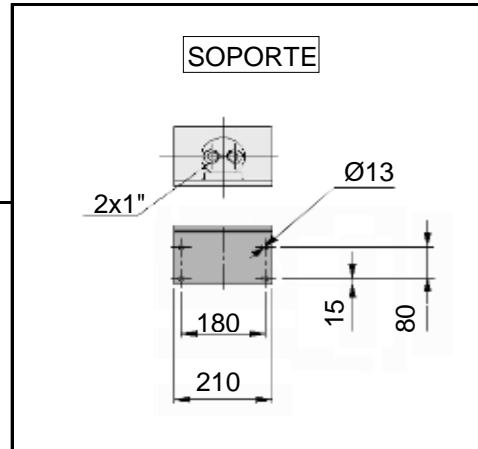
MAX HOSE SPEED
30 m/min



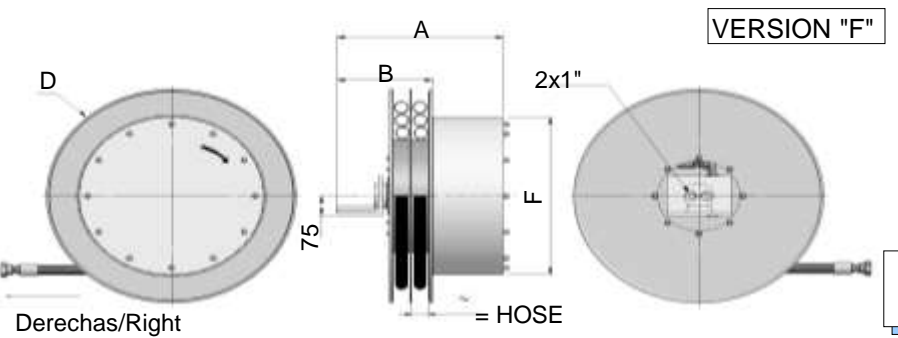
Derechas



VERSION "R"



SOPORTE



VERSION "F"

Derechas/Right

A2D700 = MODELO DERECHAS / RIGHT MODEL
A2S700 = MODELO IZQUIERDAS / LEFT MODEL
Es. ORD. A2D800.25.12.2SN

Modelo derechas Right model	Version	A	B	D	F	CON TUBO / WITH HOSE							
						sin tubo without hose		Ø	Long.total		Long.utile		
						EURO			Total length	Usable length	2SN	4SP	
						mm		m	m	XXX=2SN	XXX=4SP		
A2D600.25.19.XX	F			620	605	3720,00	3/4"	6,5	5,5	4623,04	6,5	5,5	4869,18
A2D600.25.25.XX							1"	5,0	4,0	4720,34	5,0	4,0	4937,29
A2D700.25.16.XX	F	405	263	720	605	4326,00	5/8"	9,5	8,5	4847,88	9,5	8,5	5180,14
A2D700.25.19.XX							3/4"	8,0	7,0	4821,58	8,0	7,0	5124,52
A2D700.25.25.XX							1"	6,4	5,4	4941,76	6,4	5,4	5219,46
A2D800.25.12.XX							1/2"	16,0	15,0	5359,36	16,0	15,0	6003,11
A2D800.25.16.XX	F	405	263	810	605	4770,00	5/8"	14,0	13,0	5493,47	14,0	13,0	5983,12
A2D800.25.19.XX							3/4"	12,0	11,0	5455,34	12,0	11,0	5909,76
A2D800.25.25.XX							1"	10,0	9,0	5627,59	8,6	7,6	5906,86
A2D900.25.12.XX							1/2"	21,0	20,0	6185,09	21,0	20,0	7030,28
A2D900.25.16.XX	F	542	300	910	605	5436,00	5/8"	19,0	18,0	6382,31	17,0	16,0	6887,48
A2D900.25.19.XX							3/4"	17,0	16,0	6357,33	15,0	14,0	6830,68
A2D900.25.25.XX							1"	13,5	12,5	6527,61	11,2	10,2	6859,34
A2D1000.25.12.XX							1/2"	30,0	29,0	6874,86	30,0	29,0	8081,90
A2D1000.25.16.XX	R	542	300	1000	605	5837,00	5/8"	23,0	22,0	6962,17	23,0	22,0	7766,60
A2D1000.25.19.XX							3/4"	20,0	19,0	6900,37	19,0	18,0	7572,52
A2D1000.25.25.XX							1"	15,0	14,0	7029,22	15,0	14,0	7680,08
A2D1200.25.12.XX							1/2"	38,0	37,0	8218,91	38,0	37,0	9747,82
A2D1200.25.16.XX	R	542	300	1200	605	6924,00	5/8"	30,0	29,0	8362,49	30,0	29,0	9411,74
A2D1200.25.19.XX							3/4"	30,0	29,0	8461,10	26,0	25,0	9256,33
A2D1200.25.25.XX							1"	22,0	21,0	8586,01	22,0	21,0	9540,60
A2D1400.25.12.XX							1/2"	40,0	39,0	10297,43	40,0	39,0	11906,82
A2D1400.25.16.XX	R			1400	650	8938,00	5/8"	40,0	39,0	10823,90	40,0	39,0	12222,91
A2D1400.25.19.XX							3/4"	39,0	38,0	10901,48	39,0	38,0	12378,32
A2D1400.25.25.XX							1"	30,0	29,0	11136,84	30,0	29,0	12438,55